



2025

SPARE PARTS CATALOGUE

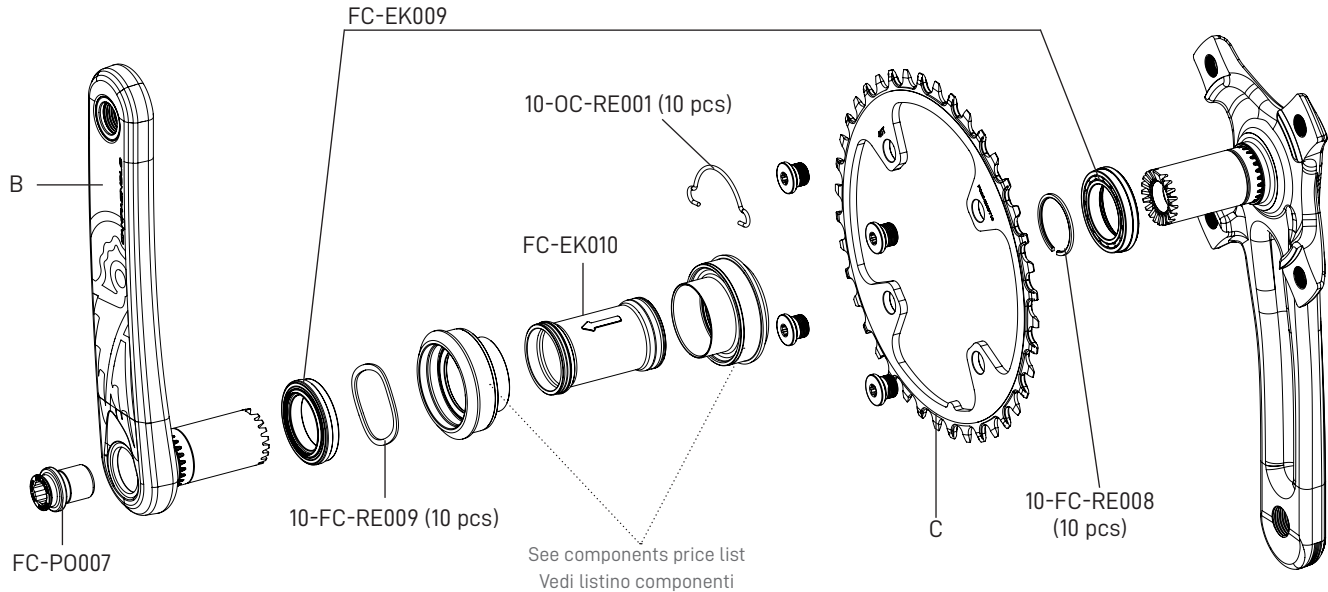
PREVIEW

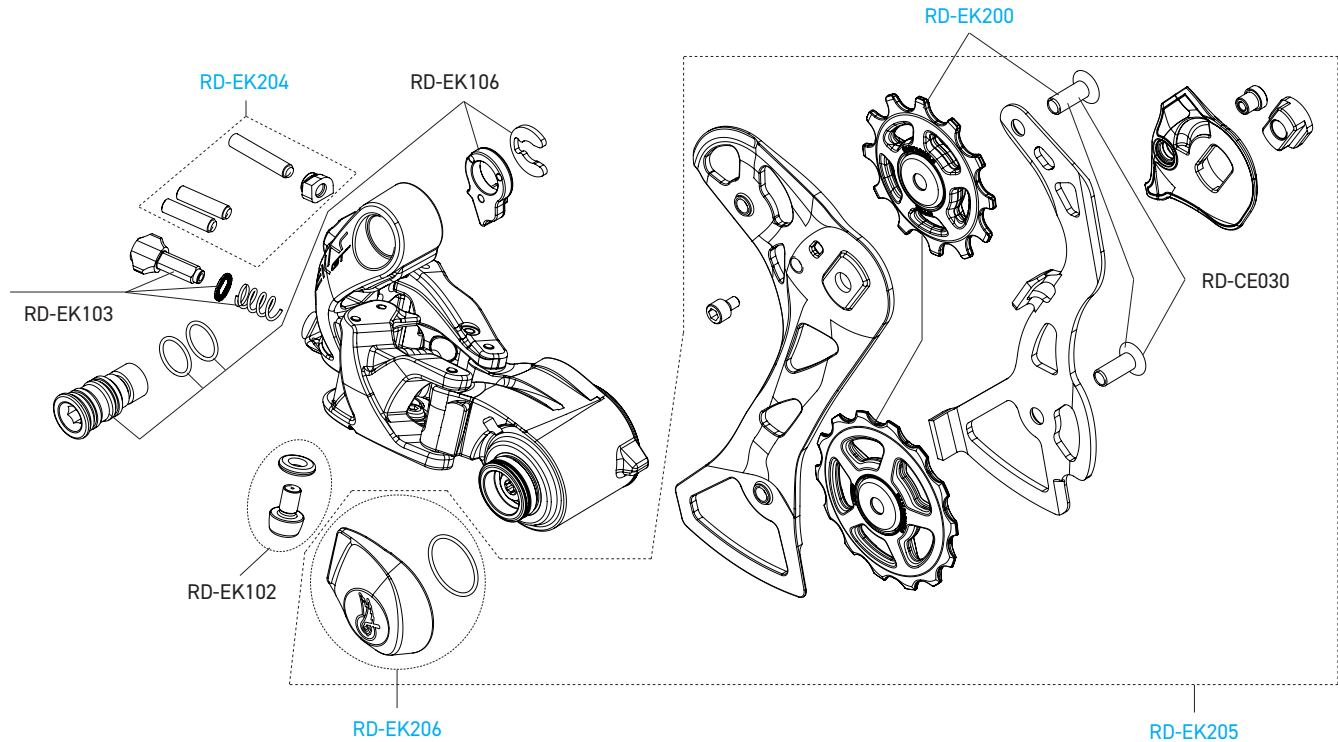
Campagnolo

EKAR GT 13S

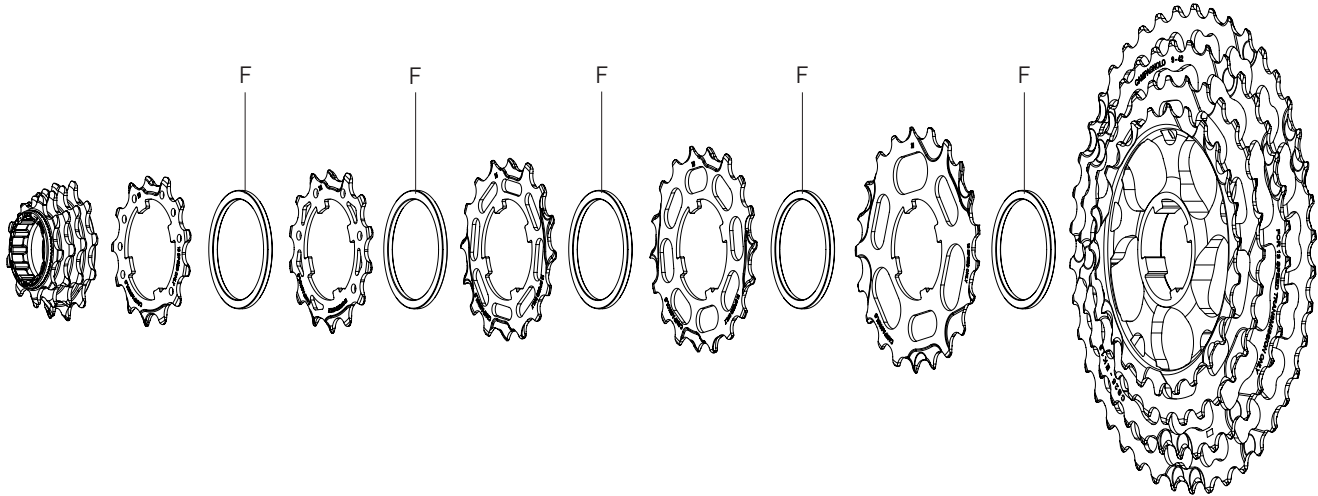
FC-EKGT100
KIT VITI / SCREWS

B	170 mm 172,5 mm 175 mm	FC-EKGT170 FC-EKGT172 FC-EKGT175
C	Z36 Z38 Z40 Z42 Z44	FC-EKGT36 FC-EKGT38 FC-EKGT40 FC-EKGT42 FC-EKGT44



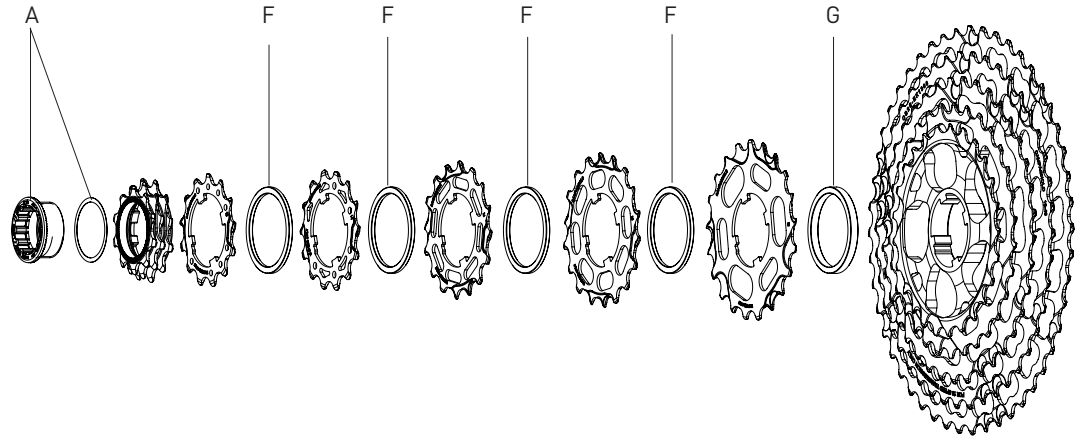


F	5-CS-913 (5 pcs)	1,98 mm
---	----------------------------	---------



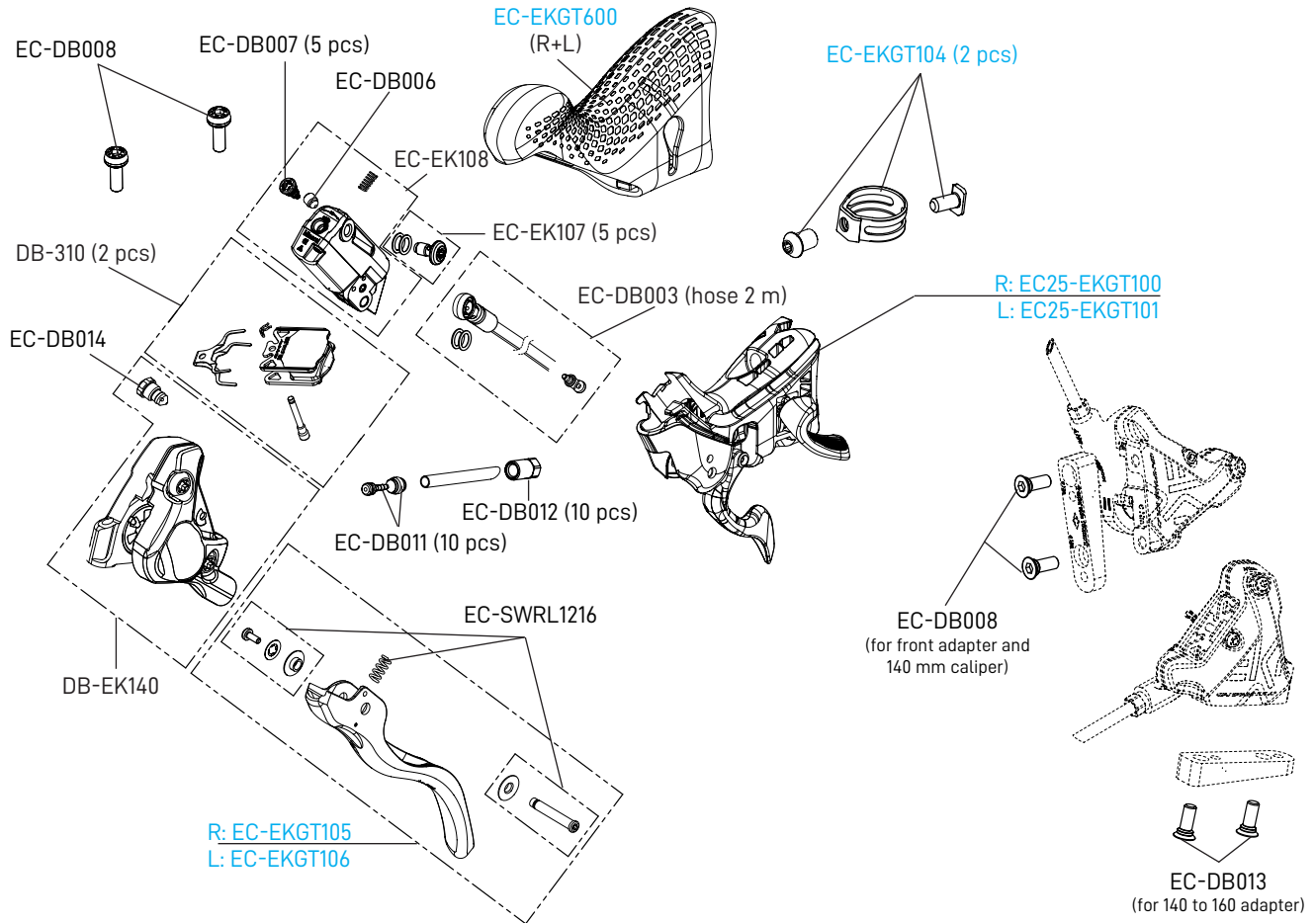
9-42	9-10-11-12	13	14	16	18	21	25-30-36-42
	13S-912	13S-013	13S-014	13S-016	13S-018	13S-021	NOT AVAILABLE

A	CS-700	12s / 13s
F	5-CS-913 (5 pcs)	1,98 mm
G	CS-9134 (2 pcs)	4,05 mm



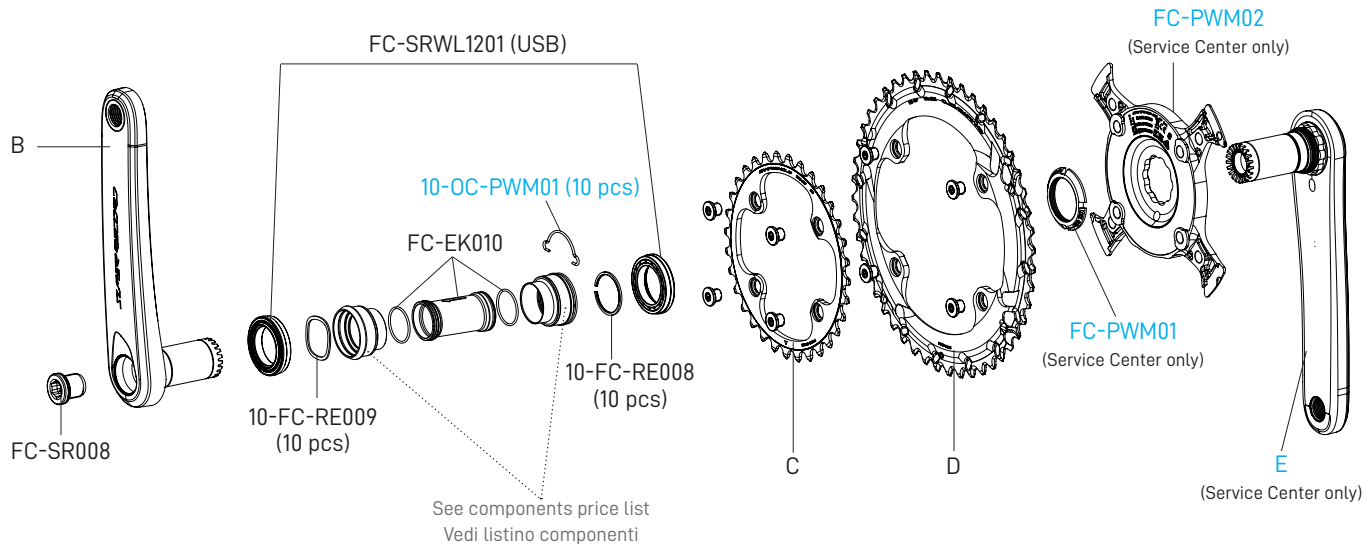
10-44	10-11-12	13	14	16	18	21	24-28-33-38-44
	13s-1012G	13S-013	13S-014	13S-016	13S-018	13S-021	NOT AVAILABLE
10-48	10-11-12	13	14	16	18	21	25-30-36-42-48
	13s-1012G	13S-013	13S-014	13S-016	13S-018	13S-021	NOT AVAILABLE

EKAR GT 13S



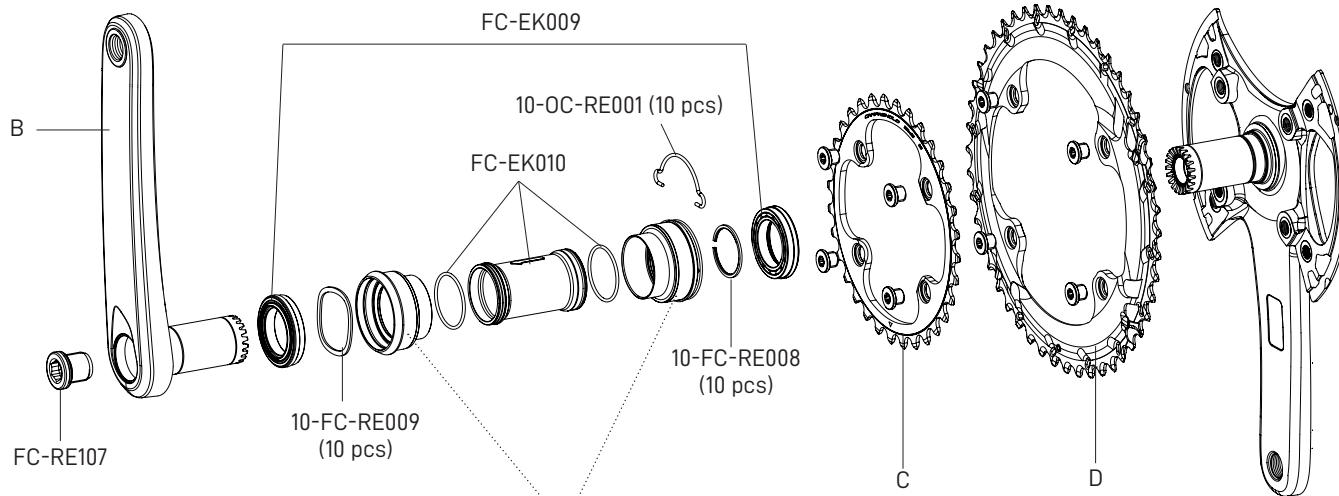
FC-PO100
KIT VITI / SCREWS&NUTS

B	170 mm 172,5 mm 175 mm	FC-SRWL12170 FC-SRWL12172 FC-SRWL12175
C	Z29 for 45 Z32 for 48 Z34 for 50	FC-SRWL1229 FC-SRWL1232 FC-SRWL1234
D	Z45 for 29 Z48 for 32 Z50 for 34	FC-SRWL1245 FC-SRWL1248 FC-SRWL1250
E	170 mm 172,5 mm 175 mm	FC-SRPWRL12170RH FC-SRPWRL12172RH FC-SRPWRL12175RH



FC-PO100
KIT VITI / SCREWS&NUTS

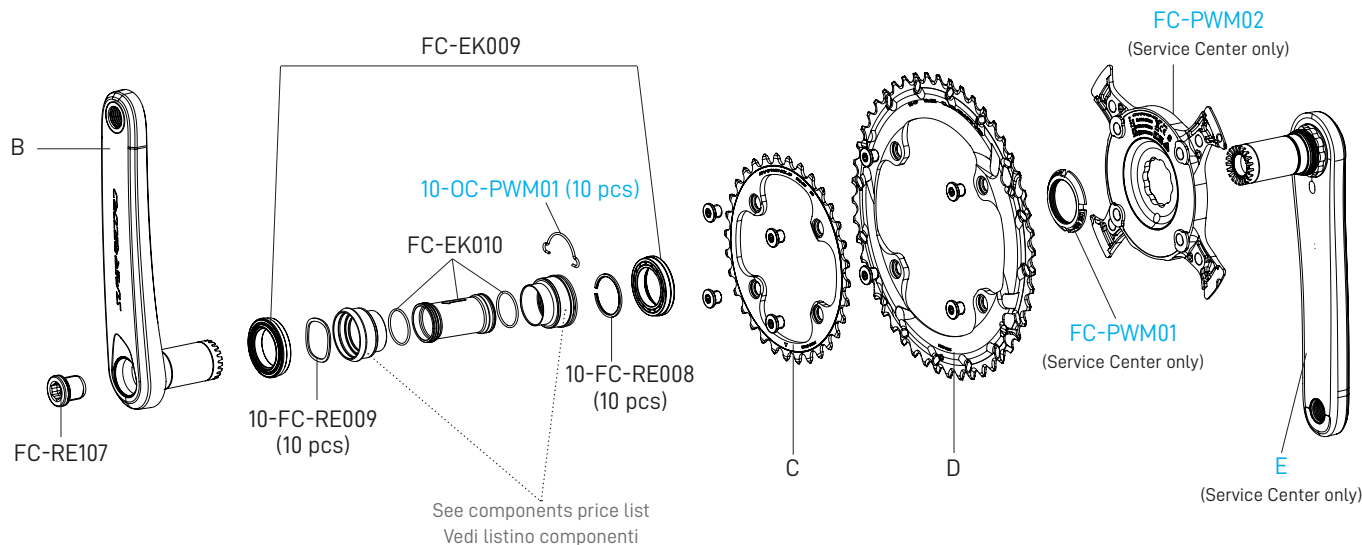
B	170 mm	FC-SRSWRL12170	D	Z45 for 29	FC-SRSWRL1245
	172,5 mm	FC-SRSWRL12172		Z48 for 32	FC-SRSWRL1248
	175 mm	FC-SRSWRL12175		Z50 for 34	FC-SRSWRL1250
C	Z29 for 45	FC-SRWL1229	D	Z52 for 36	FC-SRWL1252
	Z32 for 48	FC-SRWL1232		Z53 for 39	FC-SRWL1253
	Z34 for 50	FC-SRWL1234		Z54 for 39	FC-SRWL1254
	Z36 for 52	FC-SRWL1236			
	Z39 for 53/54	FC-SRWL1239			



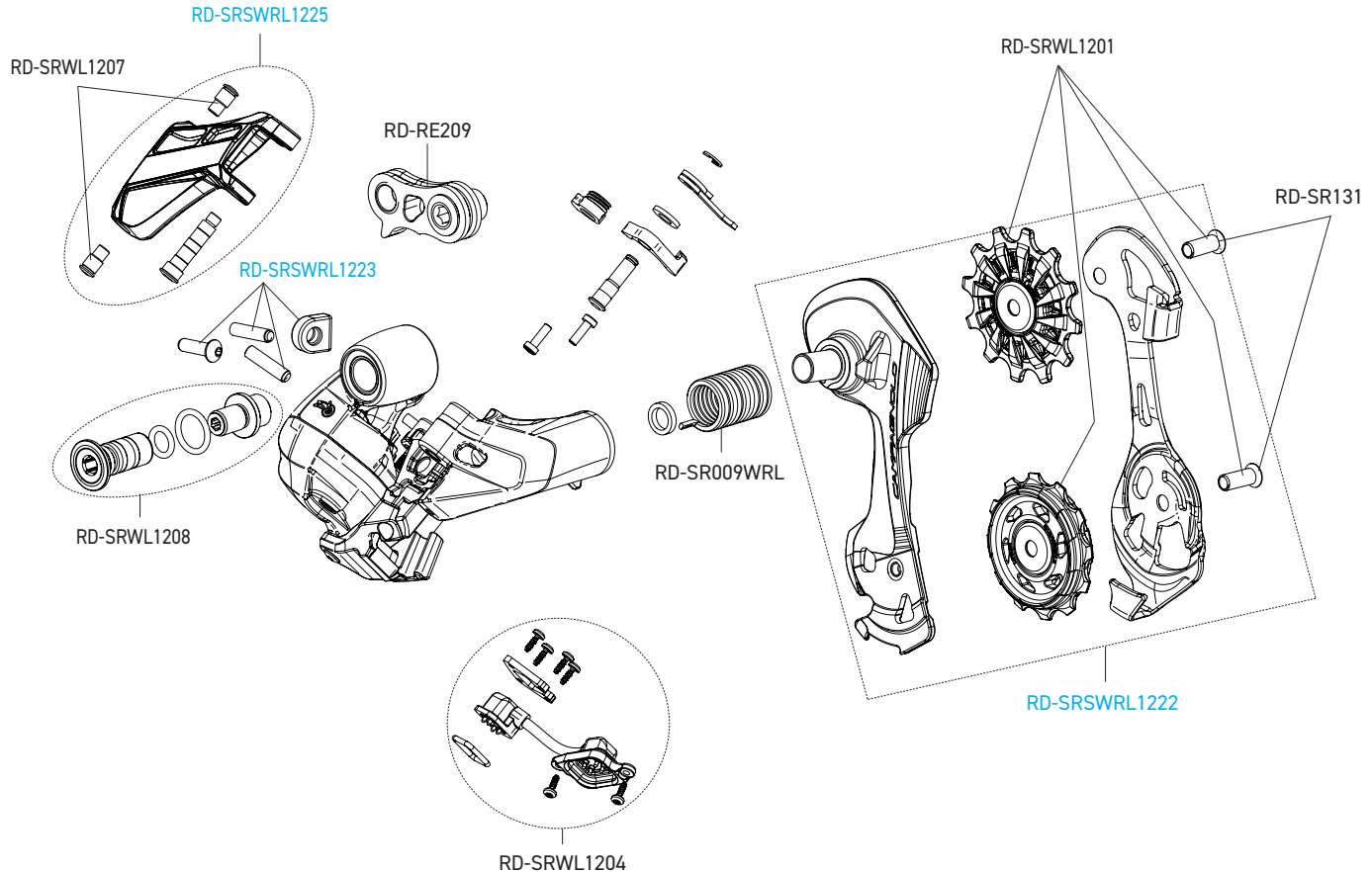
See components price list
Vedi listino componenti

FC-P0100
KIT VITI / SCREWS&NUTS

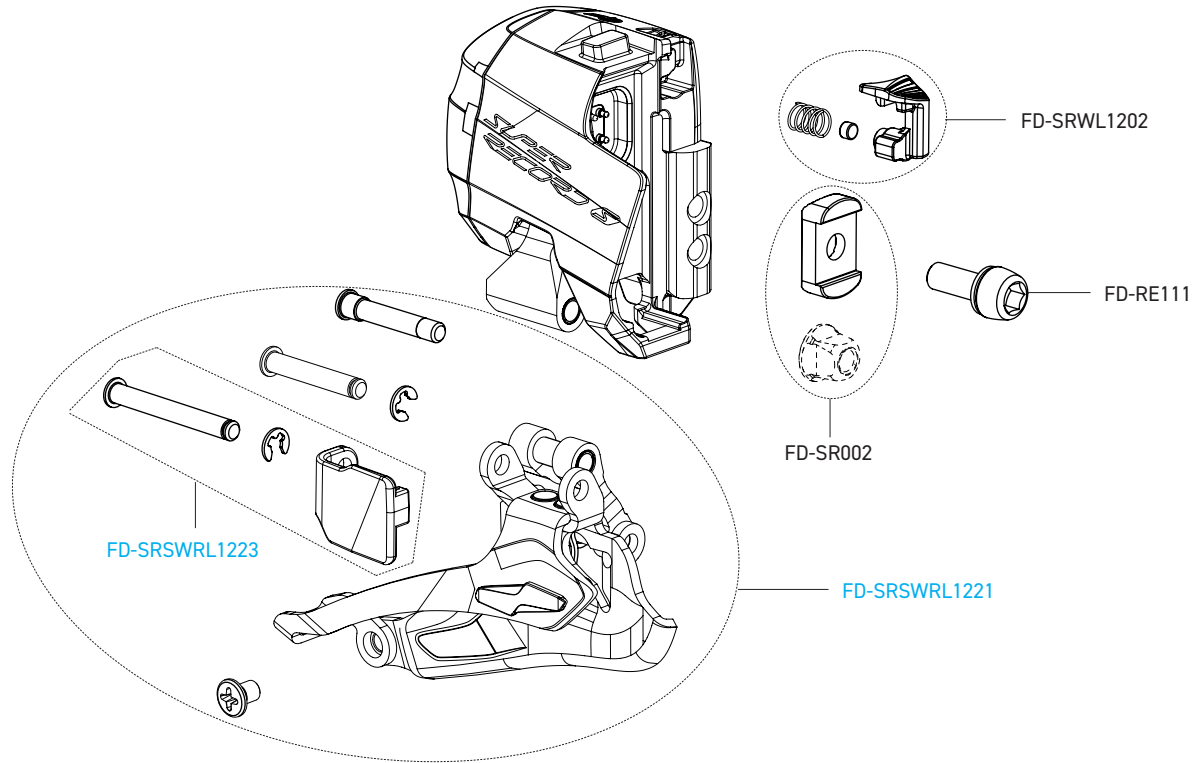
B	170 mm 172,5 mm 175 mm	FC-SRSWRL12170 FC-SRSWRL12172 FC-SRSWRL12175	D	Z45 for 29 Z48 for 32 Z50 for 34 Z52 for 36 Z53 for 39 Z54 for 39	FC-SRSWRL1245 FC-SRSWRL1248 FC-SRSWRL1250 FC-SRWRL1252 FC-SRWRL1253 FC-SRWRL1254
	C	Z29 for 45 Z32 for 48 Z34 for 50 Z36 for 52 Z39 for 53/54		FC-SRWL1229 FC-SRWL1232 FC-SRWL1234 FC-SRWRL1236 FC-SRWRL1239	E



SUPER RECORD S 12S WIRELESS

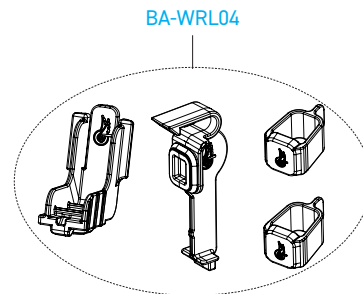
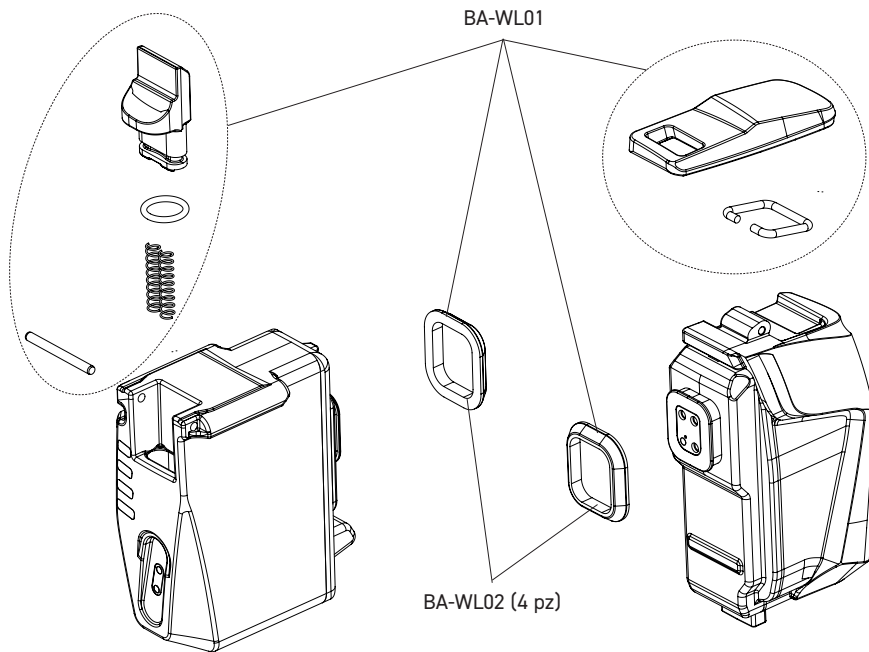


SUPER RECORD S 12S WIRELESS



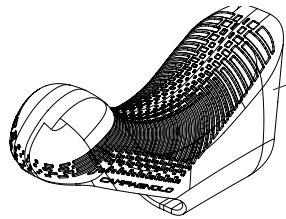
SUPER RECORD / SUPER RECORD S 12S WIRELESS

FRONT AND REAR DERAILLEUR BATTERY: see components price list
BATTERIE DEL CAMBIO E DERAGLIATORE: vedi listino prezzi componenti



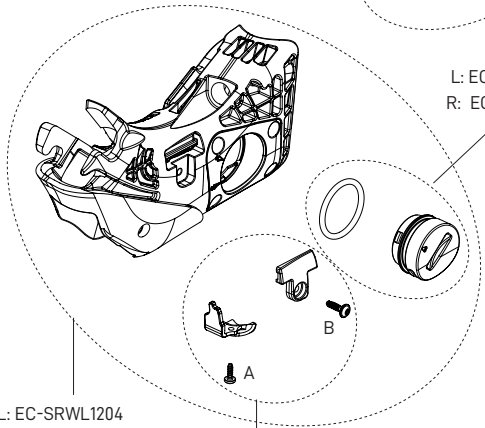
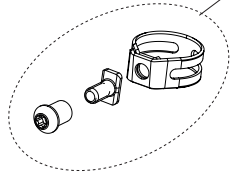
SUPER RECORD S 12S WIRELESS

SUPER RECORD S 12S WIRELESS



EC-SRSWRL601

EC-SR104



L: EC-SRWL1204
R: EC-SRWL1203
(SERVICE CENTER ONLY)

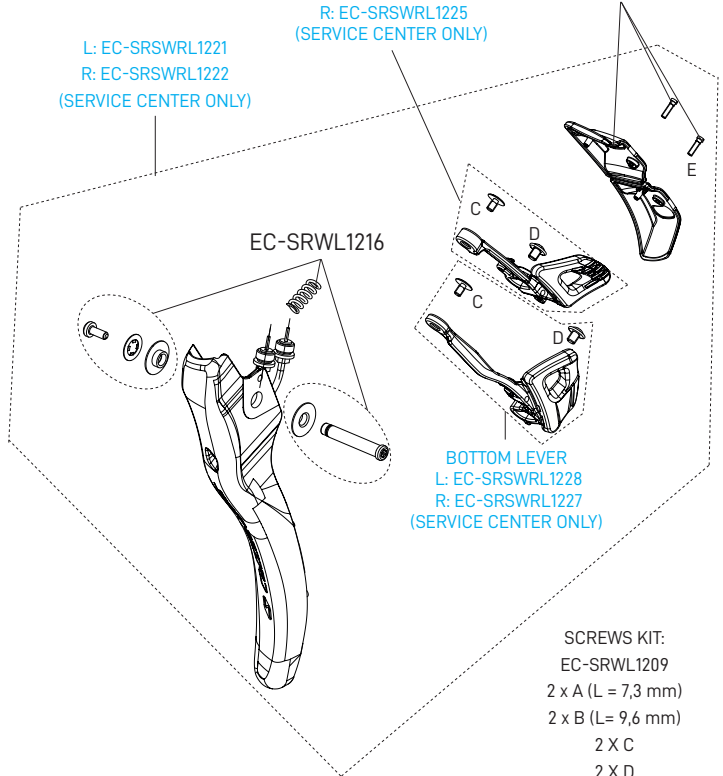
L: EC-SRWL1213
R: EC-SRWL1212
(SERVICE CENTER ONLY)

L: EC-SRWL1211
R: EC-SRWL1210

L: EC-SRSWRL1221
R: EC-SRSWRL1222
(SERVICE CENTER ONLY)

TOP LEVER
L: EC-SRSWRL1226
R: EC-SRSWRL1225
(SERVICE CENTER ONLY)

L: EC-SRSWRL1223
R: EC-SRSWRL1224
(SERVICE CENTER ONLY)

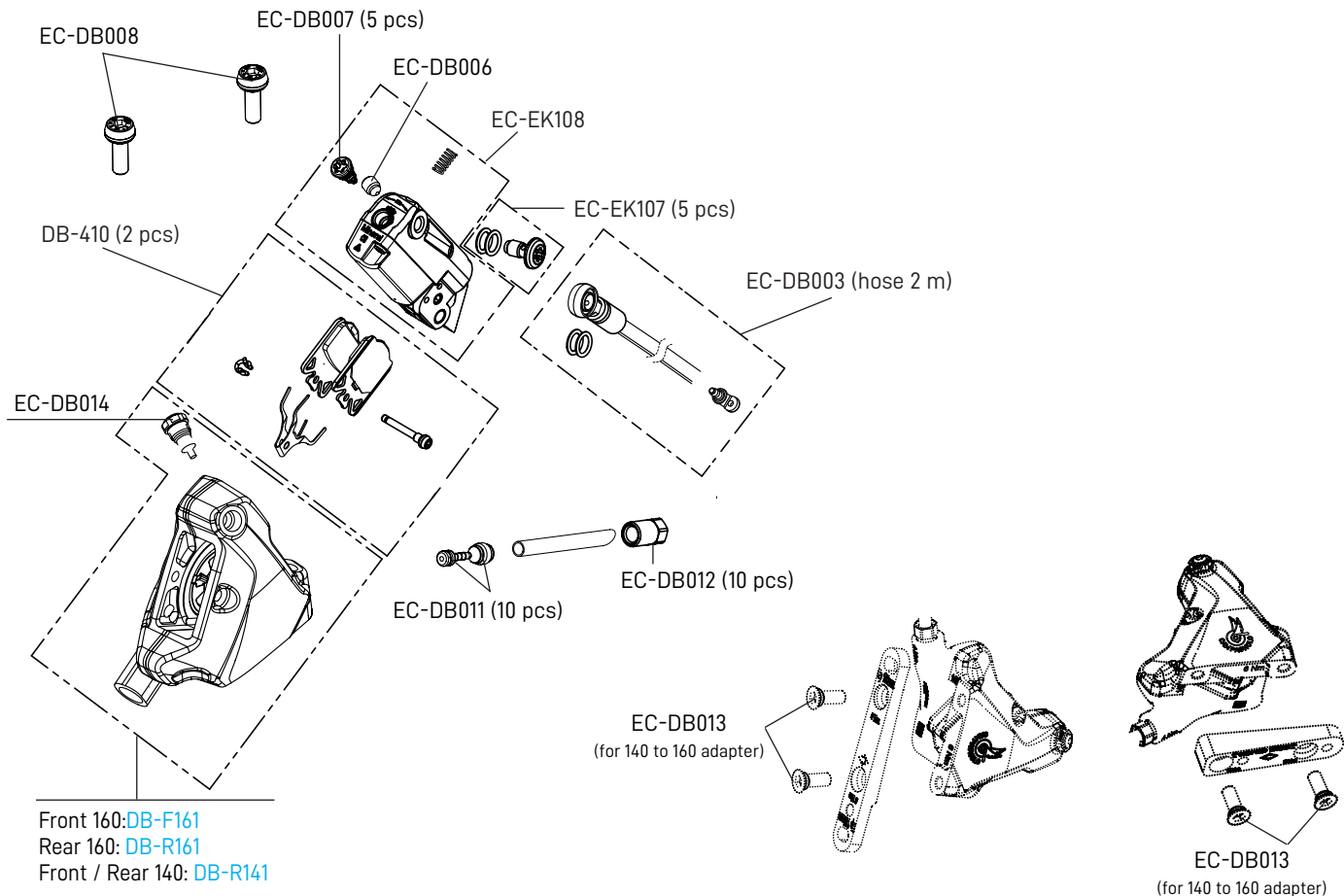


EC-SRWL1216

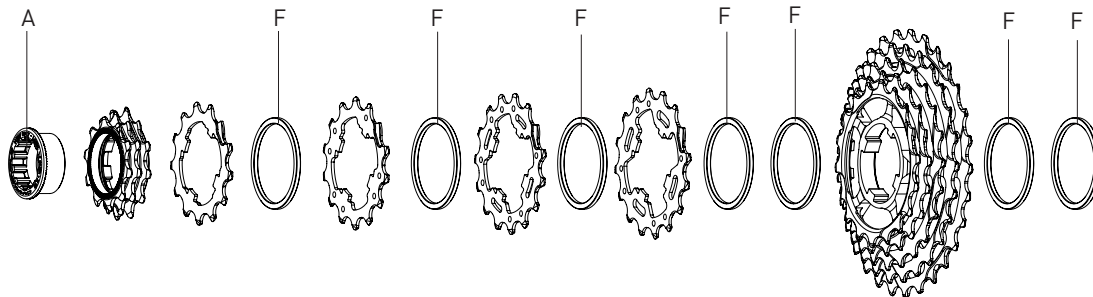
BOTTOM LEVER
L: EC-SRSWRL1228
R: EC-SRSWRL1227
(SERVICE CENTER ONLY)

- SCREWS KIT:
EC-SRWL1209
2 x A (L = 7,3 mm)
2 x B (L = 9,6 mm)
2 X C
2 X D
4 X E

SUPER RECORD S12S WIRELESS



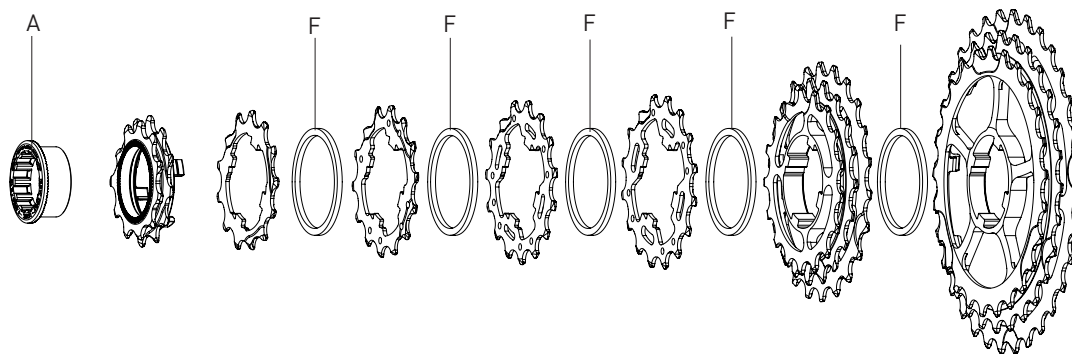
A	CS-700	
F	5-CS-812 (5 pcs)	2,0 mm



10-25	A	10-11-12*	13A	F	14A	F	15A	F	16A	F	Z17-Z19-Z21-Z23-Z25*
		12S-1012	12S-013		12S-014		12S-015		12S-016		12S-1725
10-27	A	10-11-12*	13A	F	14A	F	15A	F	16A	F	Z17-Z19-Z21-Z24-Z27*
		12S-1012	12S-013		12S-014		12S-015		12S-016		12S-1727
10-29	A	10-11-12*	13A	F	14A	F	15A	F	16A	F	Z18-Z20-Z23-Z26-Z29*
		12S-1012	12S-013		12S-014		12S-015		12S-016		12S-1829

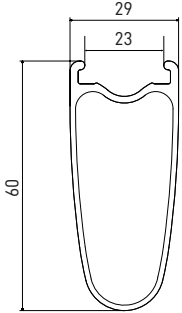
* monoblock piece

A	CS-700	
F	5-CS-812 (5 pcs)	2,0 mm



11-32	A	11-12*	13	F	14	F	15	F	16	17-19-22*	F	25-28-32*
		12S-1112	12S-131132		12S-141132		12S-015		12S-016	12S-792		12S-5832

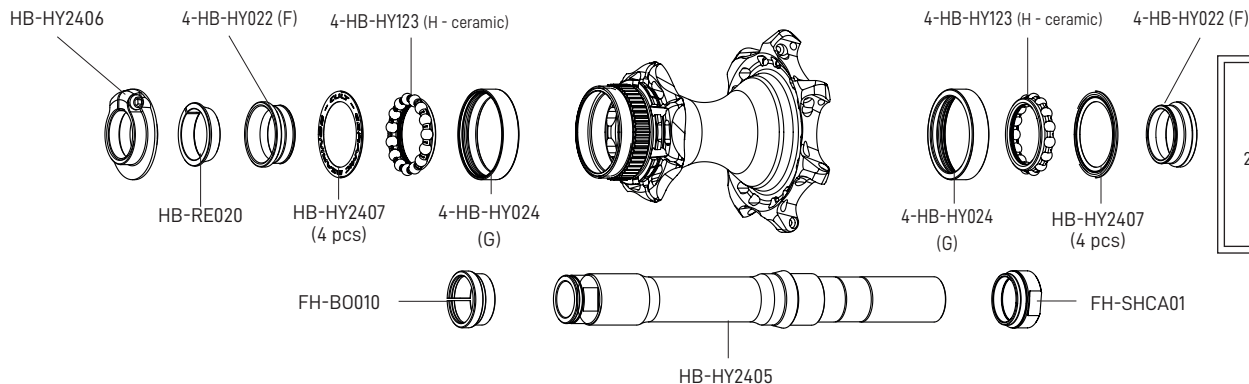
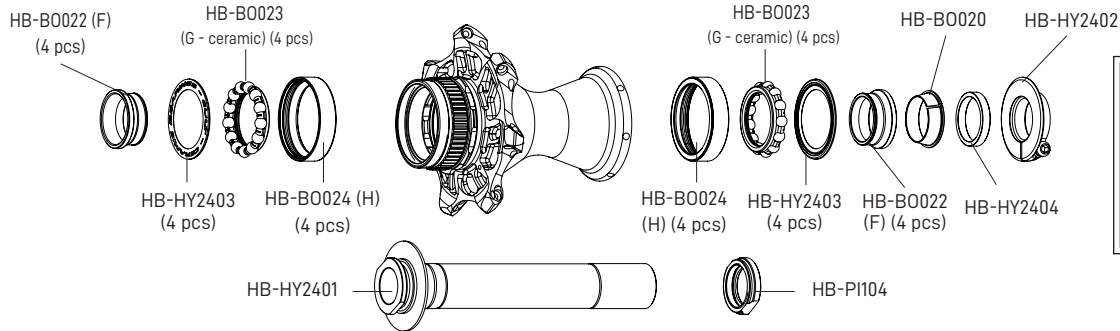
* monoblock piece

RIM		
	FRONT / REAR RIM	WH-01BWU60C23
	VALVE HOLE	6,5 mm
	2-WAY FIT™ VALVE	VA-2WF70
	VALVE HOLE BUSHING	WH-BUU002 (5 pcs.)
	DIAMETER	700C (622 x TC23)

SPOKES		
FRONT LH/REAR RH L. 273,5	WH-03BWU60C23	4 spokes + 4 nipples
FRONT RIGHT L. 254	WH-02BWU60C23	4 spokes + 4 nipples
REAR LEFT L. 249	WH-04BWU60C23	4 spokes + 4 nipples + 4 washers
NIPPLES	WH-05BWU4523	10 pieces
NIPPLE INSERT + SPANNER	UT-WH290	magnet-attractor for nipple + wrench
NIPPLE MAGNET	UT-WH050	nipple-guide

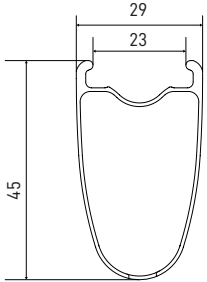

ACCESSORIES		
Spacer for HG11 FW body	FH-BUU001	5 pcs - to be used only with 9/10s sprockets
AFS™ lockring	4-M1-101B	to fix the rotor

HUBS



Complete FW body Ø33 mm/ Corpetti RL completi Ø33 mm

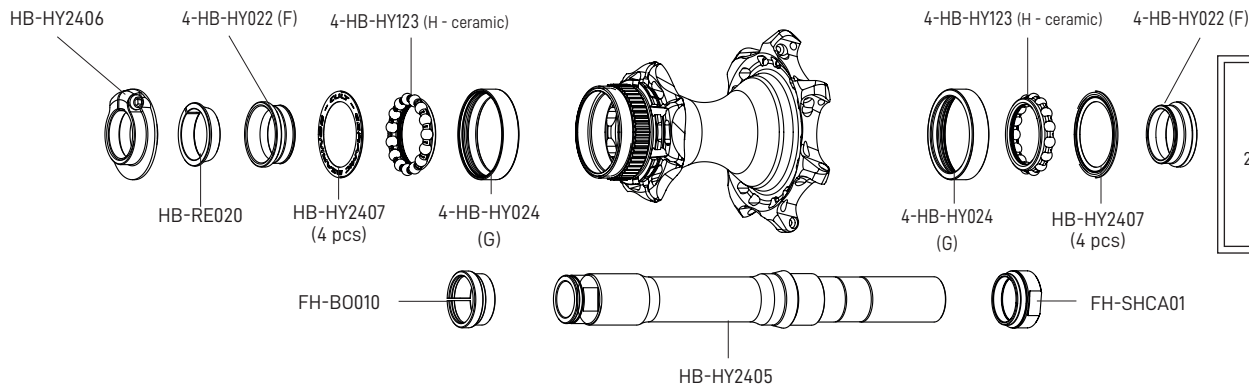
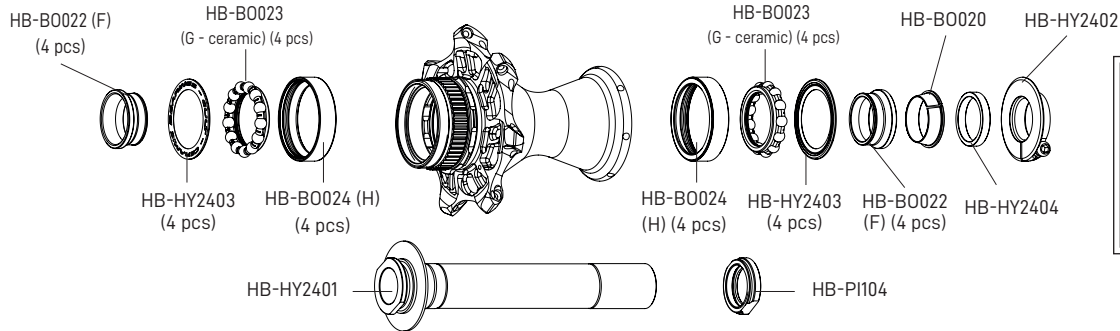
FH-HGA33USB (HG 9/12) - FH-N3WA33USB (Campagnolo N3W) - FH-XDRA33USB (XDR)

RIM		
	FRONT / REAR RIM	WH-01BWU45C23
	VALVE HOLE	6,5 mm
	2-WAY FIT™ VALVE	VA-2WF55
	VALVE HOLE BUSHING	WH-BUU002 (5 pcs.) 
	DIAMETER	700C (622 x TC23)

SPOKES		
FRONT LH/REAR RH L. 289	WH-03BWU45C23	4 spokes + 4 nipples
FRONT RIGHT L. 268,5	WH-02BWU45C23	4 spokes + 4 nipples
REAR LEFT L. 264	WH-04BWU45C23	4 spokes + 4 nipples + 4 washers
NIPPLES	WH-05BWU4523	10 pieces
NIPPLE INSERT + SPANNER	UT-WH290	magnet-attractor for nipple + wrench
NIPPLE MAGNET	UT-WH050	nipple-guide

ACCESSORIES		
Spacer for HG11 FW body	FH-BUU001	5 pcs - to be used only with 9/10s sprockets
AFS™ lockring	4-M1-101B	to fix the rotor

HUBS



Complete FW body Ø33 mm/ Corpetti RL completi Ø33 mm

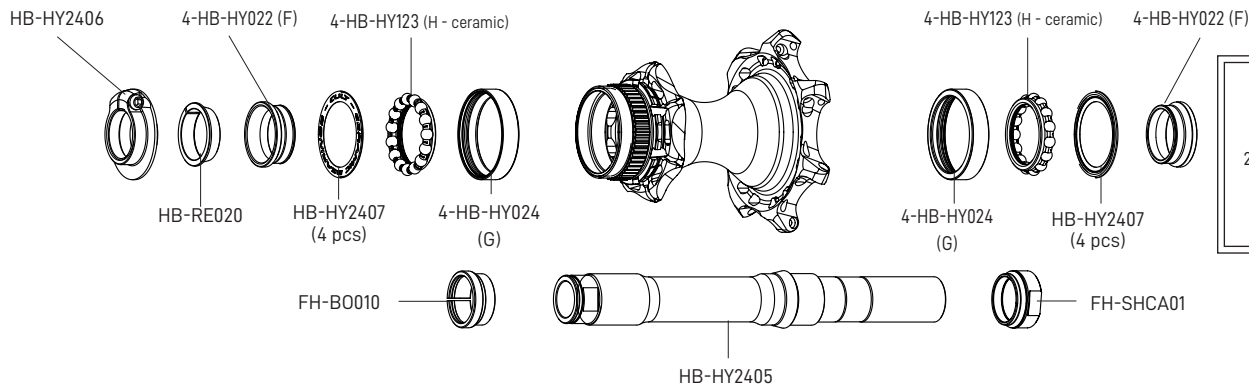
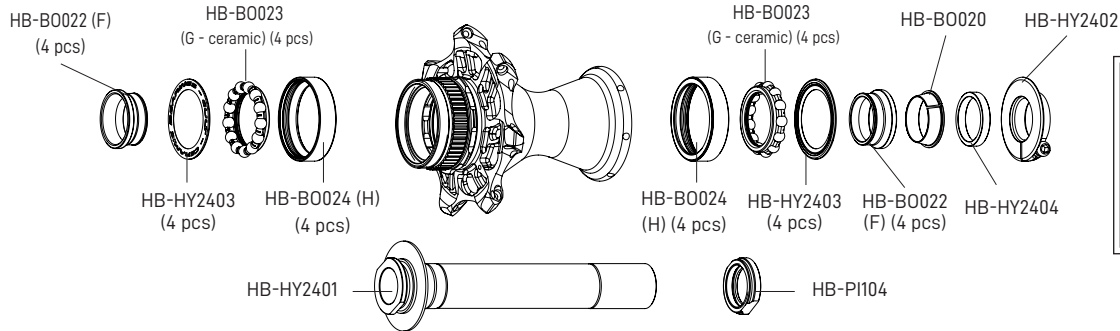
FH-HGA33USB (HG 9/12) - FH-N3WA33USB (Campagnolo N3W) - FH-XDRA33USB (XDR)

RIM		
	FRONT / REAR RIM	WH-01BWU35C23
	VALVE HOLE	6,5 mm
	2-WAY FIT™ VALVE	VA-2WF55
	VALVE HOLE BUSHING	WH-BUU002 (5 pcs.) 
	DIAMETER	700C (622 x TC23)

SPOKES		
FRONT LH/REAR RH L. 299,5	WH-03BWU35C23	4 spokes + 4 nipples
FRONT RIGHT L. 279	WH-02BWU35C23	4 spokes + 4 nipples
REAR LEFT L. 274	WH-04BWU35C23	4 spokes + 4 nipples + 4 washers
NIPPLES	WH-05BWU4523	10 pieces
NIPPLE INSERT + SPANNER	UT-WH290	magnet-attractor for nipple + wrench
NIPPLE MAGNET	UT-WH050	nipple-guide

ACCESSORIES		
Spacer for HG11 FW body	FH-BUU001	5 pcs - to be used only with 9/10s sprockets
AFS™ lockring	4-M1-101B	to fix the rotor

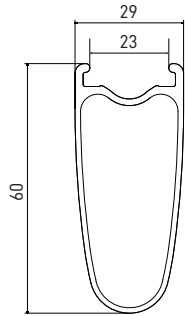
HUBS



Complete FW body Ø33 mm/ Corpetti RL completi Ø33 mm

FH-HGA33USB (HG 9/12) - FH-N3WA33USB (Campagnolo N3W) - FH-XDRA33USB (XDR)

RIM



FRONT / REAR RIM	WH-01BW60C23
VALVE HOLE	6,5 mm
2-WAY FIT™ VALVE	VA-2WF70
VALVE HOLE BUSHING	WH-BUU002 (5 pcs.) 
DIAMETER	700C (622 x TC23)

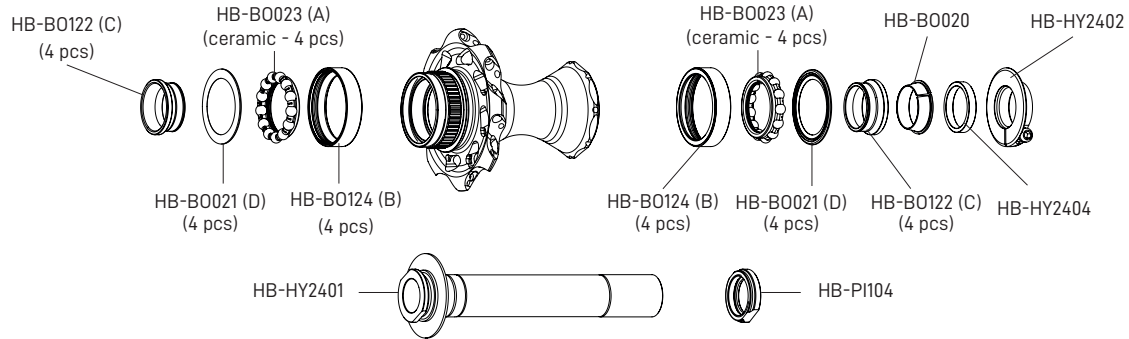
SPOKES

FRONT LH / REAR RH L. 264	WH-03BW60C23	4 spokes + 4 nipples
FRONT RIGHT L. 250	WH-02BW60C23	4 spokes + 4 nipples
REAR LEFT L. 246	WH-04BW60C23	4 spokes + 4 nipples + 4 washers
NIPPLES	WH-04LV	10 pieces
NIPPLE INSERT	UT-WH160	magnet-attractor for nipple
NIPPLE MAGNET	UT-WH050	nipple-guide
SPOKE SPANNER	UT-WH090	spoke wrenches

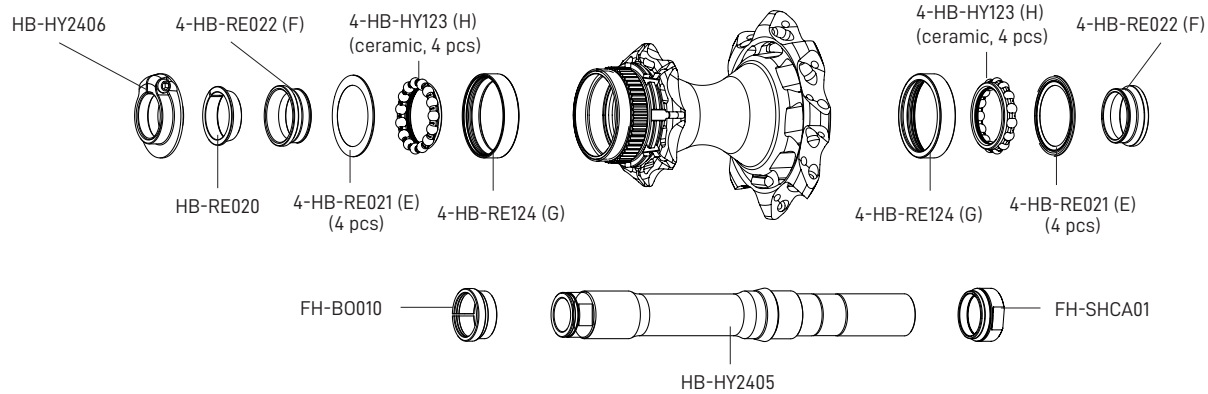
ACCESSORIES

Spacer for HG11 FW body	FH-BUU001	5 pcs - to be used only with 9/10s sprockets
AFS™ lockring	4-M1-101B	to fix the rotor

HUBS



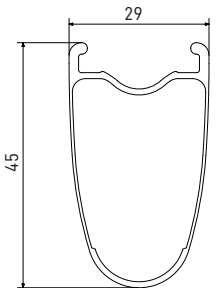

**HB-SH200
USB™ KIT front**
2 x A, 2 x B,
2 x C, 2 x D



**HB-SH100
USB™ KIT**
2 x E, 2 x F,
2 x G, 2 x H

Complete FW body Ø33 mm/ Corpetti RL completi Ø33 mm

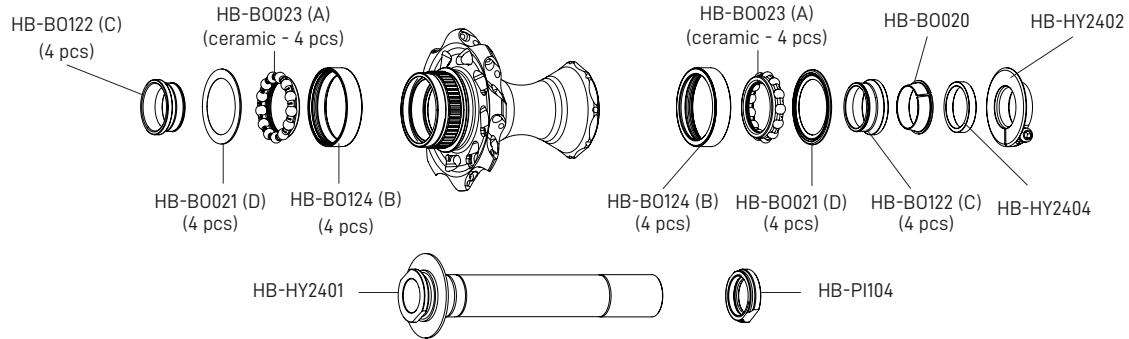
FH-HGA33 (HG 9/12) - FH-N3WA33 (Campagnolo N3W) - FH-XDRA33 (XDR)

RIM		
	FRONT / REAR RIM	WH-01BW45C23
	VALVE HOLE	6,5 mm
	2-WAY FIT™ VALVE	VA-2WF55
	VALVE HOLE BUSHING	WH-BUU002 (5 pcs.) 
	DIAMETER	700C (622 x TC23)

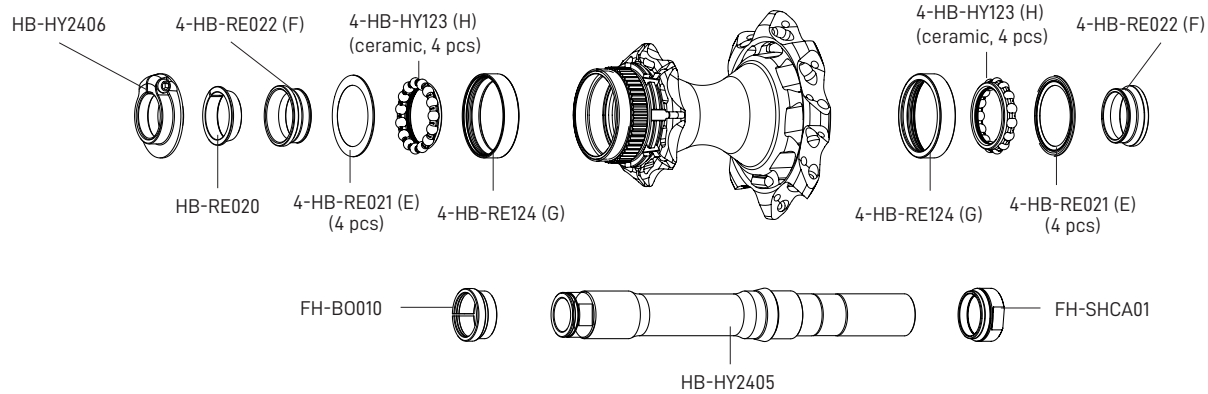
SPOKES		
FRONT LH / REAR RH L. 279	WH-03BW45C23	4 spokes + 4 nipples
FRONT RIGHT L. 265	WH-02BW45C23	4 spokes + 4 nipples
REAR LEFT L. 260,5	WH-04BW45C23	4 spokes + 4 nipples + 4 washers
NIPPLES	WH-04LV	10 pieces
NIPPLE INSERT	UT-WH160	magnet-attractor for nipple
NIPPLE MAGNET	UT-WH050	nipple-guide
SPOKE SPANNER	UT-WH090	spoke wrenches

ACCESSORIES		
Spacer for HG11 FW body	FH-BUU001	5 pcs - to be used only with 9/10s sprockets
AFS™ lockring	4-M1-101B	to fix the rotor

HUBS



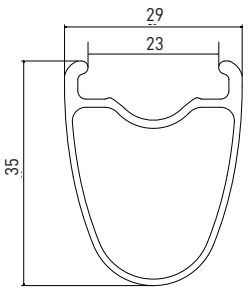

**HB-SH200
USB™ KIT front**
2 x A, 2 x B,
2 x C, 2 x D



**HB-SH100
USB™ KIT**
2 x E, 2 x F,
2 x G, 2 x H

Complete FW body Ø33 mm/ Corpetti RL completi Ø33 mm

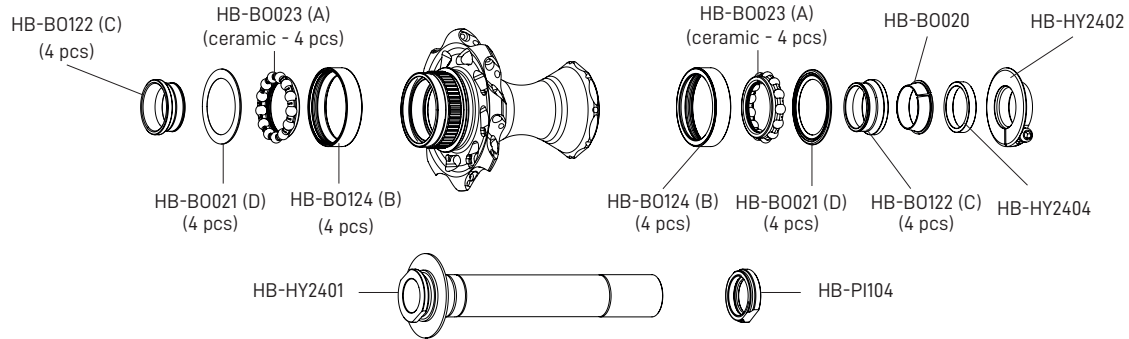
FH-HGA33 (HG 9/12) - FH-N3WA33 (Campagnolo N3W) - FH-XDRA33 (XDR)

RIM		
	RIM	WH-01BW35C23
	VALVE HOLE	6,5 mm
	2-WAY FIT™ VALVE	VA-2WF55
	VALVE HOLE BUSHING	WH-BUU002 (5 pcs.) 
	DIAMETER	700C (622 x TC23)

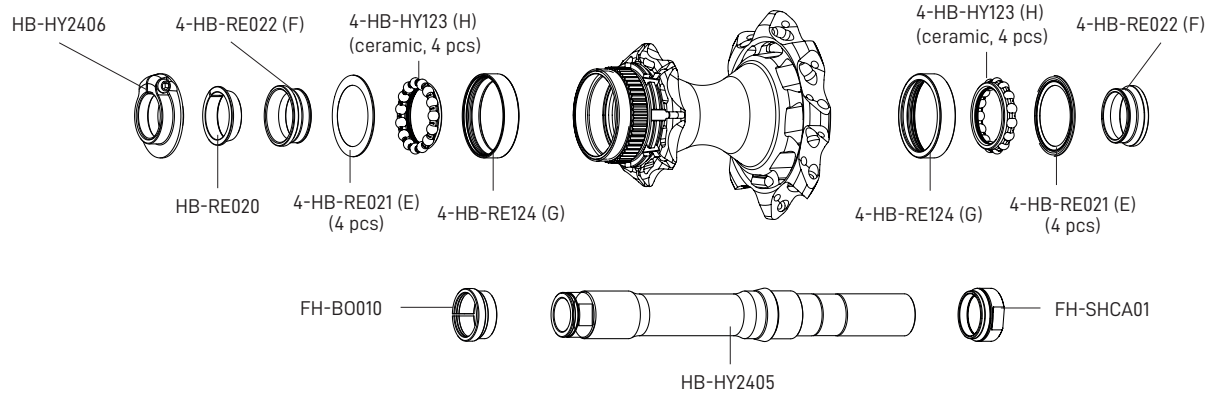
SPOKES		
FRONT LH / REAR RH L. 289	WH-03BWU45C23	4 spokes + 4 nipples
FRONT RIGHT L. 274,5	WH-02BW35C23	4 spokes + 4 nipples
REAR LEFT L. 270	WH-03BW35C23	4 spokes + 4 nipples + 4 washers
NIPPLES	WH-04LV	10 pieces
NIPPLE INSERT	UT-WH160	magnet-attractor for nipple
NIPPLE MAGNET	UT-WH050	nipple-guide
SPOKE SPANNER	UT-WH090	spoke wrenches

ACCESSORIES		
Spacer for HG11 FW body	FH-BUU001	5 pcs - to be used only with 9/10s sprockets
AFS™ lockring	4-M1-101B	to fix the rotor

HUBS



**HB-SH200
USB™ KIT front**
2 x A, 2 x B,
2 x C, 2 x D



**HB-SH100
USB™ KIT**
2 x E, 2 x F,
2 x G, 2 x H

Complete FW body Ø33 mm/ Corpetti RL completi Ø33 mm

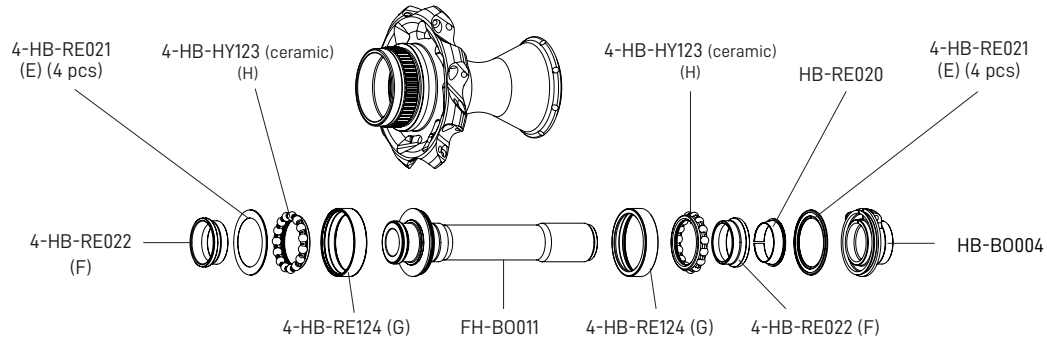
FH-HGA33 (HG 9/12) - FH-N3WA33 (Campagnolo N3W) - FH-XDRA33 (XDR)

RIM		
	RIM	WH-01BW45SMU
	VALVE HOLE	6,5 mm
	VALVE EXTENSION	UT-WH130M (male extension)
	2-WAY FIT™ VALVE	WH-SH101
	VALVE HOLE BUSHING	WH-BUU002 (5 pcs.) 
	DIAMETER	700C (622 x TC19)

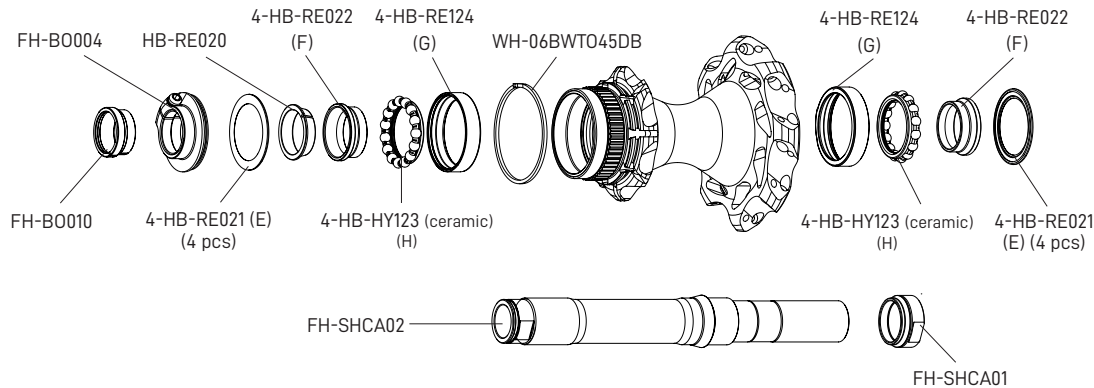
SPOKES		
FRONT RH L 265 mm	WH-02BWT045	4 spokes + 4 nipples
FRONT LH L 280,5 mm	WH-04BWT045DB	4 spokes + 4 nipples
REAR RH L 280.5 mm	WH-04BWT045DBCW	4 spokes + 4 nipples + 4 washers
REAR LH L 261,5 mm	WH-05BWT045DBCW	4 spokes + 4 nipples + 4 washers
NIPPLES	WH-07BWT045DB	black - 10 pieces
NIPPLE INSERT	UT-WH160	magnet-attractor for nipple
NIPPLE MAGNET	UT-WH050	nipple-guide
SPOKE SPANNER	UT-WH090	spoke wrenches

ACCESSORIES		
Spacer for HG11 FW body	FH-BUU001	5 pcs - to be used only with 9/10s sprockets
AFS™ lockring	4-M1-101B	to fix the rotor

HUBS



- HB-SH100
USB™ KIT**
- 2 x E
 - 2 x F
 - 2 x G
 - 2 x H



- HB-SH100
USB™ KIT**
- 2 x E
 - 2 x F
 - 2 x G
 - 2 x H

Complete FW body Ø 33 mm/ Corpetti RL completi Ø 33 mm

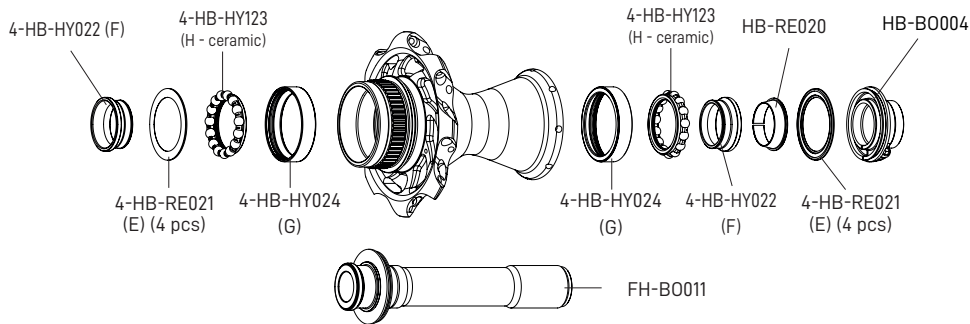
FH-HGA33 (HG 9/12) - FH-N3WA33 (Campagnolo N3W) - FH-XDRA33 (XDR)

RIM		
	FRONT / REAR RIM	WH-01BWU45SMU (with stickers and nipples)
	VALVE HOLE	6,5 mm
	2-WAY FIT™ VALVE L=55	VA-2WF55
	VALVE HOLE BUSHING	WH-BUU002 (5 pcs.)
	DIAMETER	700C (622 x TC19)

SPOKES		
FRONT LH/REAR RH L.287	WH-03BWU45	4 spokes + 4 nipples
FRONT RIGHT L.272	WH-02BWU45	4 spokes + 4 nipples
REAR LEFT L. 268,5	WH-04BWU45	4 spokes + 4 nipples
NIPPLES	WH-05BWU45	10 pieces
NIPPLE INSERT + SPANNER	UT-WH290	magnet-attractor for nipple + wrench
NIPPLE MAGNET	UT-WH050	nipple-guide

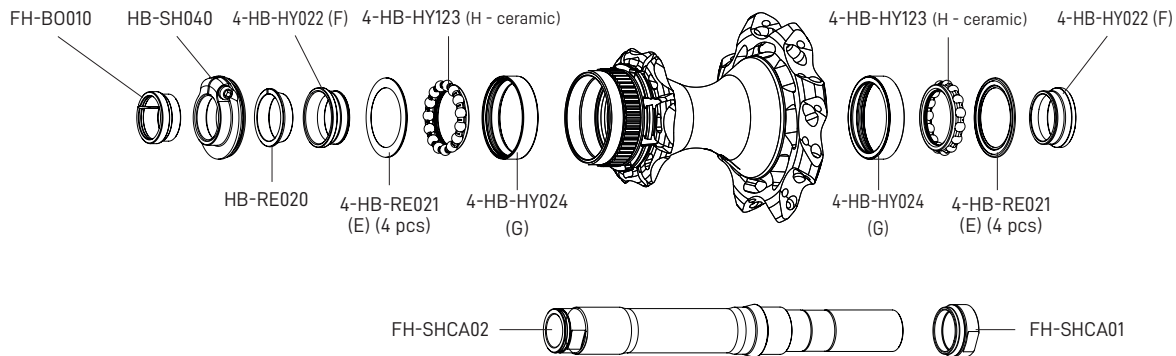
ACCESSORIES		
Spacer for HG11 FW body	FH-BUU001	5 pcs - to be used only with 9/10s sprockets
AFS™ lockring	4-M1-101B	to fix the rotor

HUBS



**HB-HY100
CULT™ KIT**

2 x E, 2 x F,
2 x G, 2 x H



**HB-HY100
CULT™ KIT**

2 x E, 2 x F,
2 x G, 2 x H

Complete FW body Ø 33 mm/ Corpetti RL completi Ø 33 mm

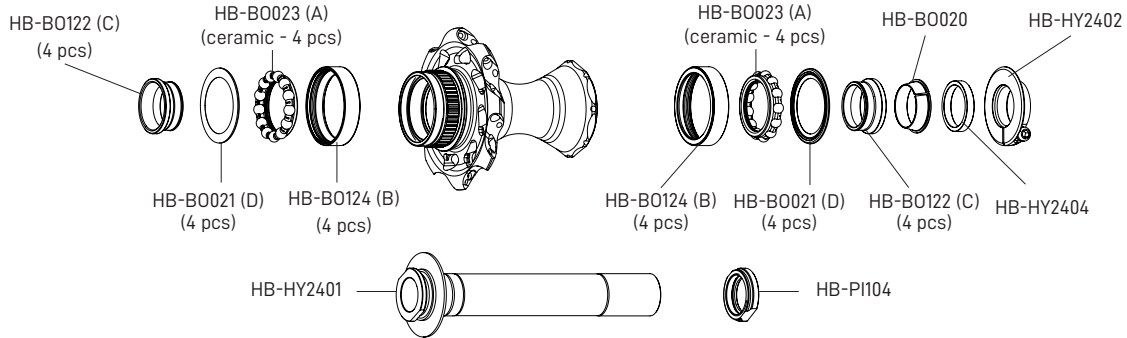
FH-HGA33 (HG 9/12) - FH-N3WA33 (Campagnolo N3W) - FH-XDRA33 (XDR)

RIM		
	FRONT / REAR RIM	WH-01BW45MA
	VALVE HOLE	6,5 mm
	2-WAY FIT™ VALVE	VA-2WF55
	VALVE HOLE BUSHING	WH-BUU002 (5 pcs.)
	DIAMETER	700C (622 x TC23)

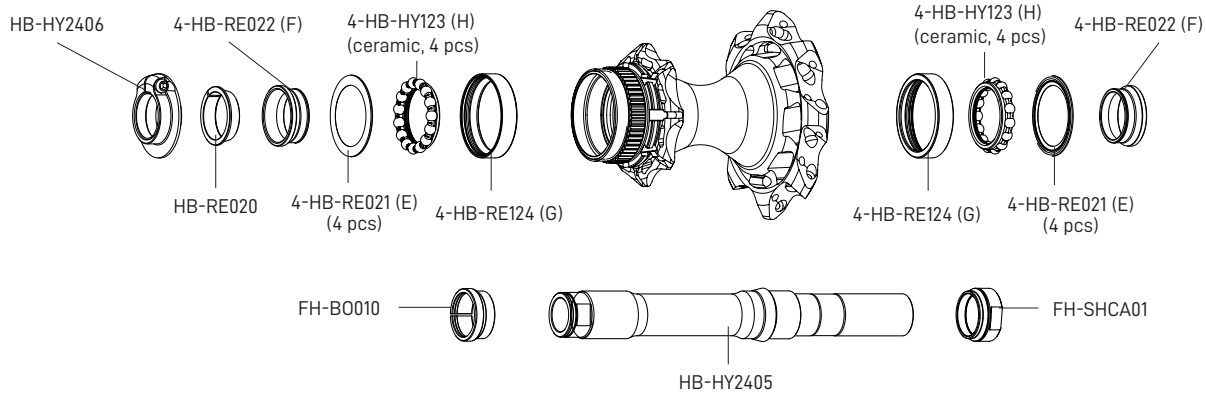
SPOKES		
FRONT LH / REAR RH L. 279	WH-03BW45C23	4 spokes + 4 nipples
FRONT RIGHT L. 265	WH-02BW45C23	4 spokes + 4 nipples
REAR LEFT L. 260,5	WH-04BW45C23	4 spokes + 4 nipples + 4 washers
NIPPLES	WH-04LV	10 pieces
NIPPLE INSERT	UT-WH160	magnet-attractor for nipple
NIPPLE MAGNET	UT-WH050	nipple-guide
SPOKE SPANNER	UT-WH090	spoke wrenches

ACCESSORIES		
Spacer for HG11 FW body	FH-BUU001	5 pcs - to be used only with 9/10s sprockets
AFS™ lockring	4-M1-101B	to fix the rotor

HUBS



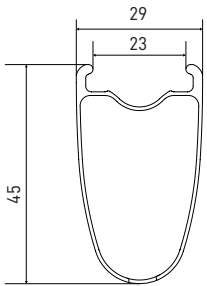

**HB-SH200
USB™ KIT front**
2 x A, 2 x B,
2 x C, 2 x D



**HB-SH100
USB™ KIT**
2 x E, 2 x F,
2 x G, 2 x H

Complete FW body Ø33 mm/ Corpetti RL completi Ø33 mm

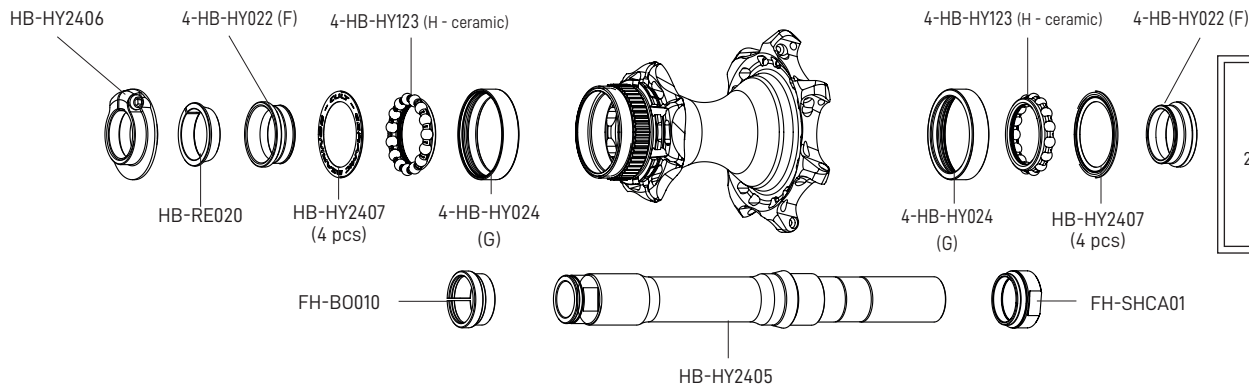
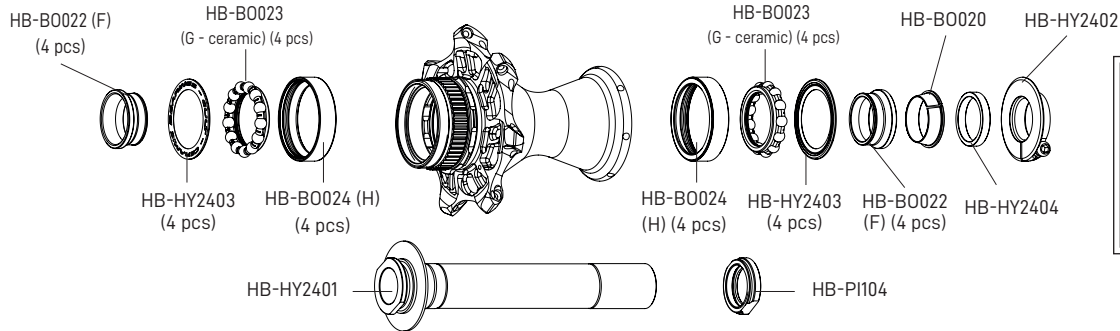
FH-HGA33 (HG 9/12) - FH-N3WA33 (Campagnolo N3W) - FH-XDRA33 (XDR)

RIM		
	FRONT / REAR RIM	WH-01BWU45MA (with stickers and nipples)
	VALVE HOLE	6,5 mm
	2-WAY FIT™ VALVE	VA-2WF55
	VALVE HOLE BUSHING	WH-BUU002 (5 pcs.) 
	DIAMETER	700C (622 x TC23)

SPOKES		
FRONT LH/REAR RH L. 289	WH-03BWU45C23	4 spokes + 4 nipples
FRONT RIGHT L. 268,5	WH-02BWU45C23	4 spokes + 4 nipples
REAR LEFT L. 264	WH-04BWU45C23	4 spokes + 4 nipples + 4 washers
NIPPLES	WH-05BWU4523	10 pieces
NIPPLE INSERT + SPANNER	UT-WH290	magnet-attractor for nipple + wrench
NIPPLE MAGNET	UT-WH050	nipple-guide

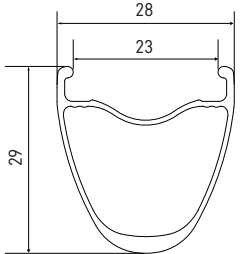
ACCESSORIES		
Spacer for HG11 FW body	FH-BUU001	5 pcs - to be used only with 9/10s sprockets
AFS™ lockring	4-M1-101B	to fix the rotor

HUBS



Complete FW body Ø33 mm/ Corpetti RL completi Ø33 mm

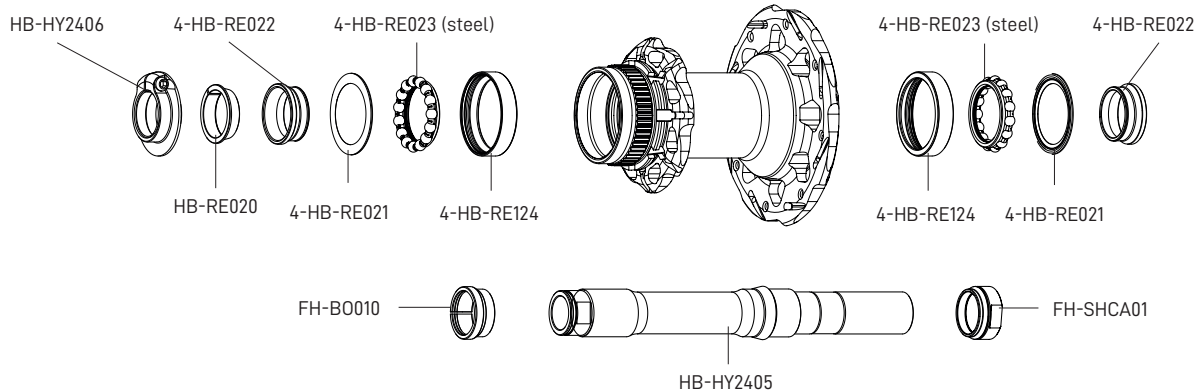
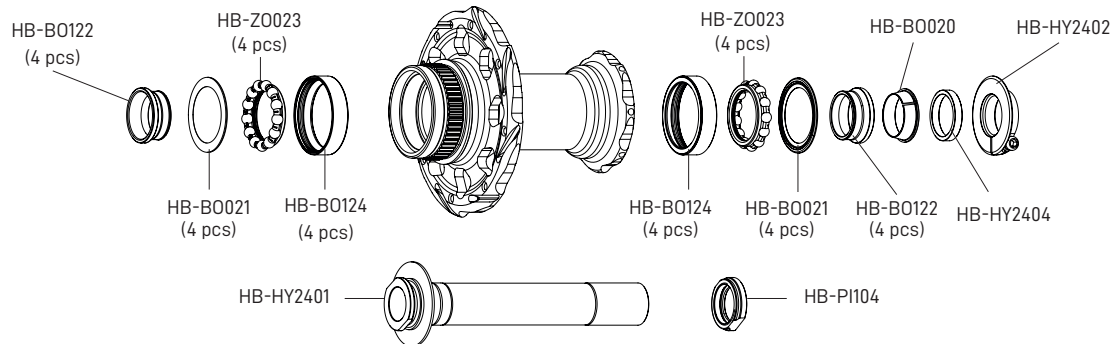
FH-HGA33USB (HG 9/12) - FH-N3WA33USB (Campagnolo N3W) - FH-XDRA33USB (XDR)

RIM		
	FRONT / REAR RIM	WH-003ZODBGT (with labels)
	LABEL KIT	LAB-ZODBGT25 (front + rear)
	VALVE HOLE	6,5 mm
	2-WAY FIT™ VALVE	VA-2WF44
	DIAMETER	700C (622 x TC23)

SPOKES		
FRONT RIGHT L=278,5	WH-017ZODBGT	4 spokes + 4 nipples
FRONT LEFT / REAR RIGHT L=283,5	WH-016ZODBGT	4 spokes + 4 nipples
REAR LEFT L=275	WH-019ZODBGT	4 spokes + 4 nipples + 4 washers
NIPPLES	WH-04LV	10 pieces
NIPPLE INSERT	UT-WH160	magnet-attractor for nipple
NIPPLE MAGNET	UT-WH050	nipple-guide
SPOKE SPANNER	UT-WH090	spoke wrenches

ACCESSORIES		
Spacer for HG11 FW body	FH-BUU001	5 pcs - to be used only with 9/10s sprockets
AFS™ lockring	4-M1-101B	to fix the rotor

HUBS



**HB-RE100
HUB KIT**
2 x HB-RE021
2 x HB-RE022
2 x HB-RE124
2 x HB-RE023

Complete FW body Ø33 mm/
Corpetti RL completi Ø33 mm

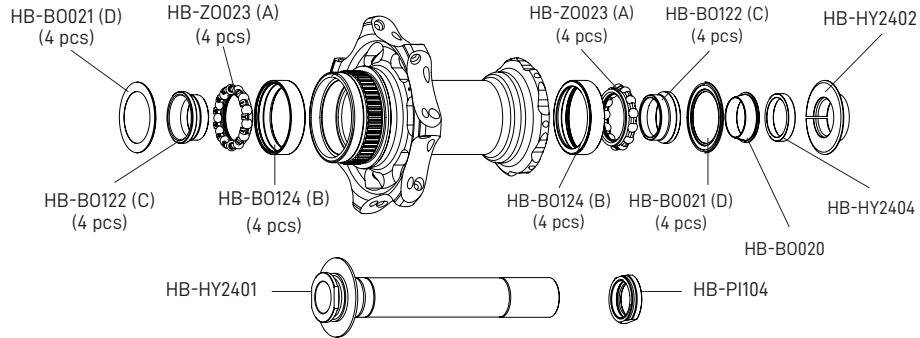
FH-HGARE33 (HG 9/12) - FH-N3WARE33 (Campagnolo N3W) - FH-XDRARE33 (XDR) - FH-MICROSRE (Micro Spline)

RIM		
	FRONT / REAR RIM	WH-SHDBC23
	VALVE HOLE	6,5 mm
	2-WAY FIT™ VALVE	VA-2WF50
	VALVE HOLE BUSHING	WH-BUU002 (5 pcs.)
	DIAMETER	700C (622 x TC23)

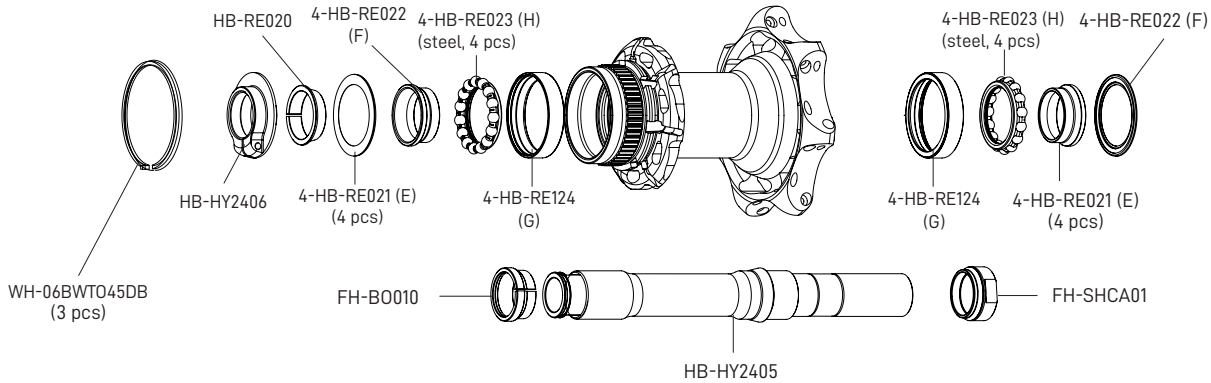
SPOKES		
FRONT LH / REAR RH L. 286,5	WH-03SHDBC23	4 spokes + 4 nipples
FRONT RIGHT L. 264,5	WH-02SHDBC23	4 spokes + 4 nipples
REAR LEFT L. 260,5	WH-04SHDBC23	4 spokes + 4 nipples + 4 washers
NIPPLES	WH-04LV	10 pieces
NIPPLE INSERT	UT-WH160	magnet-attractor for nipple
NIPPLE MAGNET	UT-WH050	nipple-guide
SPOKE SPANNER	UT-WH090	spoke wrenches

ACCESSORIES		
Spacer for HG11 FW body	FH-BUU001	5 pcs - to be used only with 9/10s sprockets
AFS™ lockring	4-M1-101B	to fix the rotor

HUBS



HB-RE200
 2 x A
 2 x B
 2 x C
 2 x D



HB-RE100 HUB KIT
 2 x E, 2 x F,
 2 x G, 2 x H

Complete FW body Ø33 mm/ Corpetti RL completi Ø33 mm

FH-HGA33 (HG 9/12) - FH-N3WA33 (Campagnolo N3W) - FH-XDRA33 (XDR)